

XKE Single Board Computer Enclosure

A steel powder coated box for XKE series devices.
Designed to house a single board computer and support
an X-keys control board for operation.

Box Contents

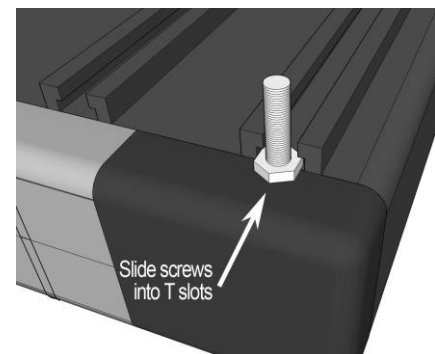
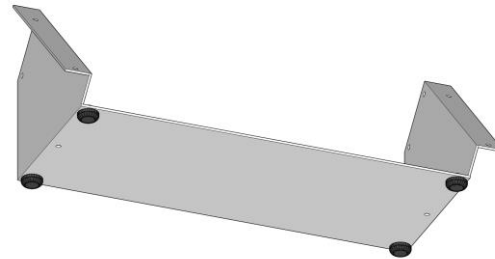
- 1 – Enclosure base
- 1 – Enclosure cover
- 4 – Rubber feet
- 4 - #4-40x3/8" hex head machine screw
- 4 - #4 flat washer
- 4 - #4-40 nylock nut
- 8 - #4-40 flat head machine screw



Installation Instructions

- 1- Insert each of the four rubber feet into a hole on each corner of the enclosure base.

- 2- Carefully align the head of each hex screw such that a flat on the head is parallel to the T-slot on the back of the X-keys and fit the screws into the T-slots.



- 3- Position the enclosure base over the screws.



- 4- Place a flat washer over each screw and secure with a nylock nut.



- 5- After mounting single board computer, fit cover over base and secure with #4-40 flat head screws on each end.

